

精密模具加工制造专家  
**FOXDOTEC**  
HIGH PRECISION MOLDS PROVIDER

匠心打造精密模具  
创新铸就产品价值

## 富东懿精密工业

New District      T: +861583800-3910  
Zhengdong        F: +86- 0374-6360659  
Zhengzhou, China   info@foxdotec.com  
WWW.FOXDOTEC.COM



**MSW漫森**



**FOXDOOTEC**

**富东懿**

**富东懿**一直致力于探索精密模具加工和自动化制造技术，在多年的发展进程中，紧跟国际精密加工领域趋势，依托国内顶尖科研机构与院校，注重沉淀高技能和富于开拓创新的人才、运用先进的全系列进口自动化精密设备，追求研发制造的标准化、流程化、信息化融合，运用自主创新的模具加工项目信息化管理系统，能大大优化缩短整个模具研发制造周期，高质量的交付能力使我们在激烈的市场竞争中不断发展和壮大。

“匠心打造精密模具，创新铸就产品价值”，模具是工业之母，公司的使命促使每一个富东懿人全心全意的为制造业赋予更高的产品价值。我们已经与客户形成紧密的伙伴关系，共同成长，帮助客户从创意雏形到实现最终的产品，提供全系列精密加工与模具成型解决方案。

公司崇尚“创新驱动，团队协作，匠人精神”的价值观，形成完善的 ISO 质量管理体系，已经与世界 500 强中的多家知名企业形成战略合作伙伴关系，也是多家上市企业指定的精密加工供应商。富东懿精密模具与精密零部件产品已经出口到日本、德国，瑞士等 30 多个国家与地区，逐步在国际市场上崭露头角。

富东懿人会再接再厉力致力于成为中国精密模具加工制造领域的领先企业。

FOXDOTEC has been committed to exploring precision mold processing and automation technology. In the course of many years of development, it has followed the trend of international precision processing, relying on top domestic research institutions and institutions, focusing on high-skilled and innovative talents. The use of advanced full range of imported automation precision equipment, the pursuit of R & D and manufacturing of standardization, process, information integration, the use of independent innovative mold processing project information management system, can greatly optimize the entire mold development cycle, high-quality delivery capabilities Let us continue to grow and grow in the fierce market competition.

“Ingenuity creates precision molds, innovation creates product value”, mold is the mother of industry, and the company's mission is to encourage every FOXDOTEC worker to wholeheartedly give higher value to the manufacturing industry. We have formed a close partnership with our customers to grow together and help our customers from the creative prototype to the final product, offering a full range of precision machining and tooling solutions.

The company advocates the values of “innovation-driven, teamwork, craftsmanship” and forms a sound ISO quality management system. It has formed strategic partnerships with many well-known companies in the world's top 500 companies, and is also the precision processing supply designated by many listed companies. FOXDOTEC precision molds and precision parts products have been exported to more than 30 countries and regions such as Japan, Germany, Switzerland, etc., and gradually emerged in the international market.

FOXDOTEC will continue to make great efforts to become a leading company in the field of precision mold processing and manufacturing



## 高精度加工技术 Maximum Precision

最大精度可达  $2\ \mu\text{m}$  (  $0.002\text{mm}$  )

### PUNCH & DIE ///

工作零件：凸模、凹模等，主要完成精密冲压件/精密端子材料的分离或成形。

### LOCATING PARTS ///

定位零件：挡料销、定位销、定位挡板等，主要是用来定位精密冲压件/精密端子坯料在模具中的正确位置。

### GUIDE PARTS ///

导向零件：导柱、导套、导板等，主要是保证使上、下模的正确运动。

### RETAINING ELEMENTS ///

支持零件：上、下模板和凹、凸模固定板等，主要是起连接和固定工作零件的作用。

### DIE FASTENER ///

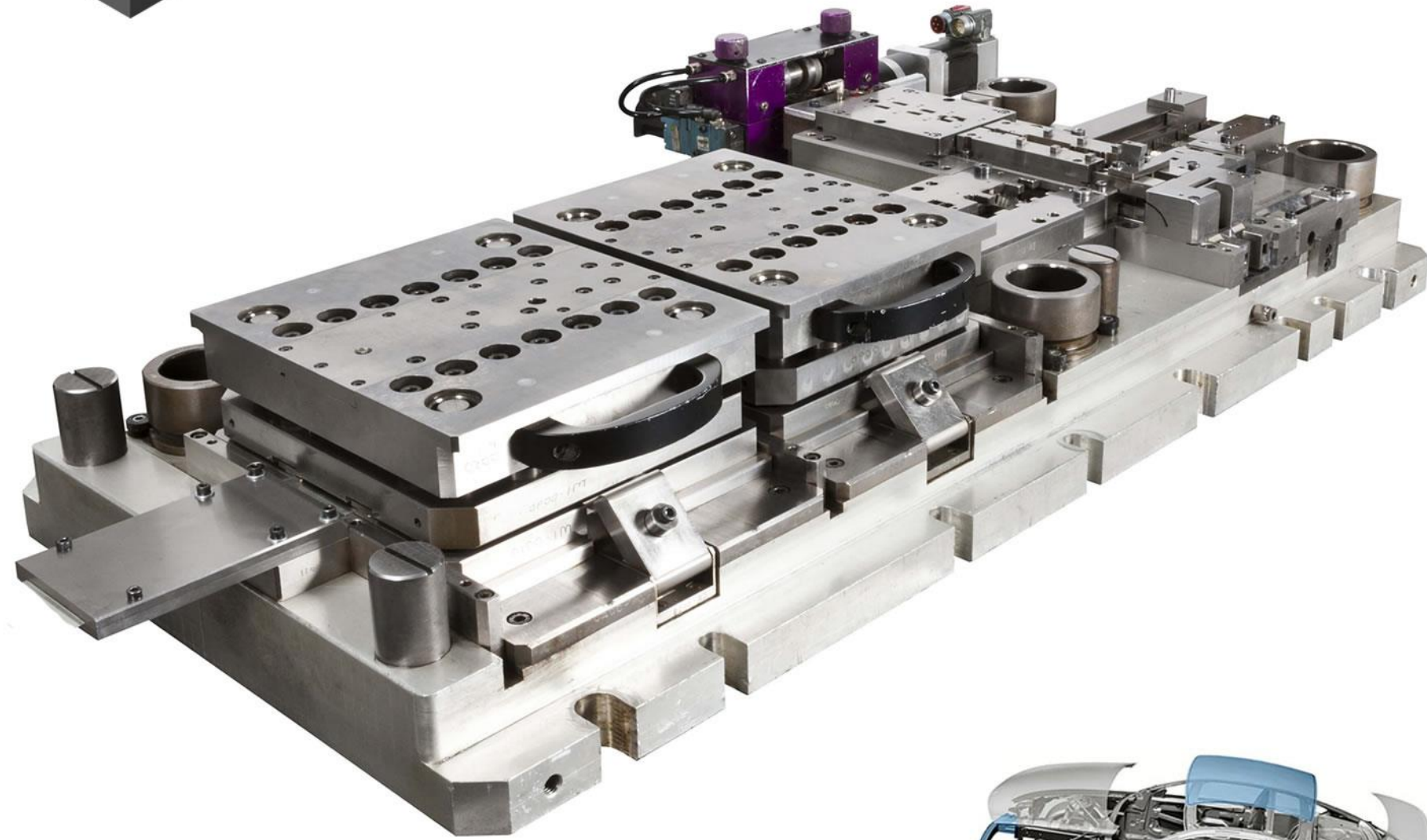
紧固零件：内六角螺钉、卸料板螺钉、拔销等，主要是起联接和紧固各类零件使之成为一体的作用。

### BUFFER PARTS ///

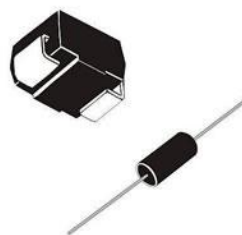
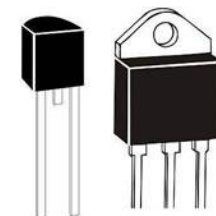
缓冲零件：钢丝弹簧、聚氨酯橡胶弹簧等，主要是利用其弹力起到卸、退料的作用。

### DISSOCIATE PARTS ///

压料、卸料与顶料零件：压料板、卸料板、顶出器、压边圈等，主要是起把制件和废料与模具分离的作用，在拉伸模中的压边力圈还防止失稳和起皱作用



## • 应用场景 APPLICATION



- 级进模、空翅片级进模、集成电路框架级进模、电子连接器级进模，汽车零件级进模、多功能复合冲压模具、微小零件冲压模具

Progressive Die, Air Foil Progressive Die, Integrated Circuit Frame Progressive Die, Electronic Connector Progressive Die, Auto Parts Progressive Die, Multi-Function Composite Stamping Die, Small Parts Stamping Die



医疗领域



### Medical

- › Precision and part-to-part consistency
- › Hygienic surface quality

日用护理



### Personal care

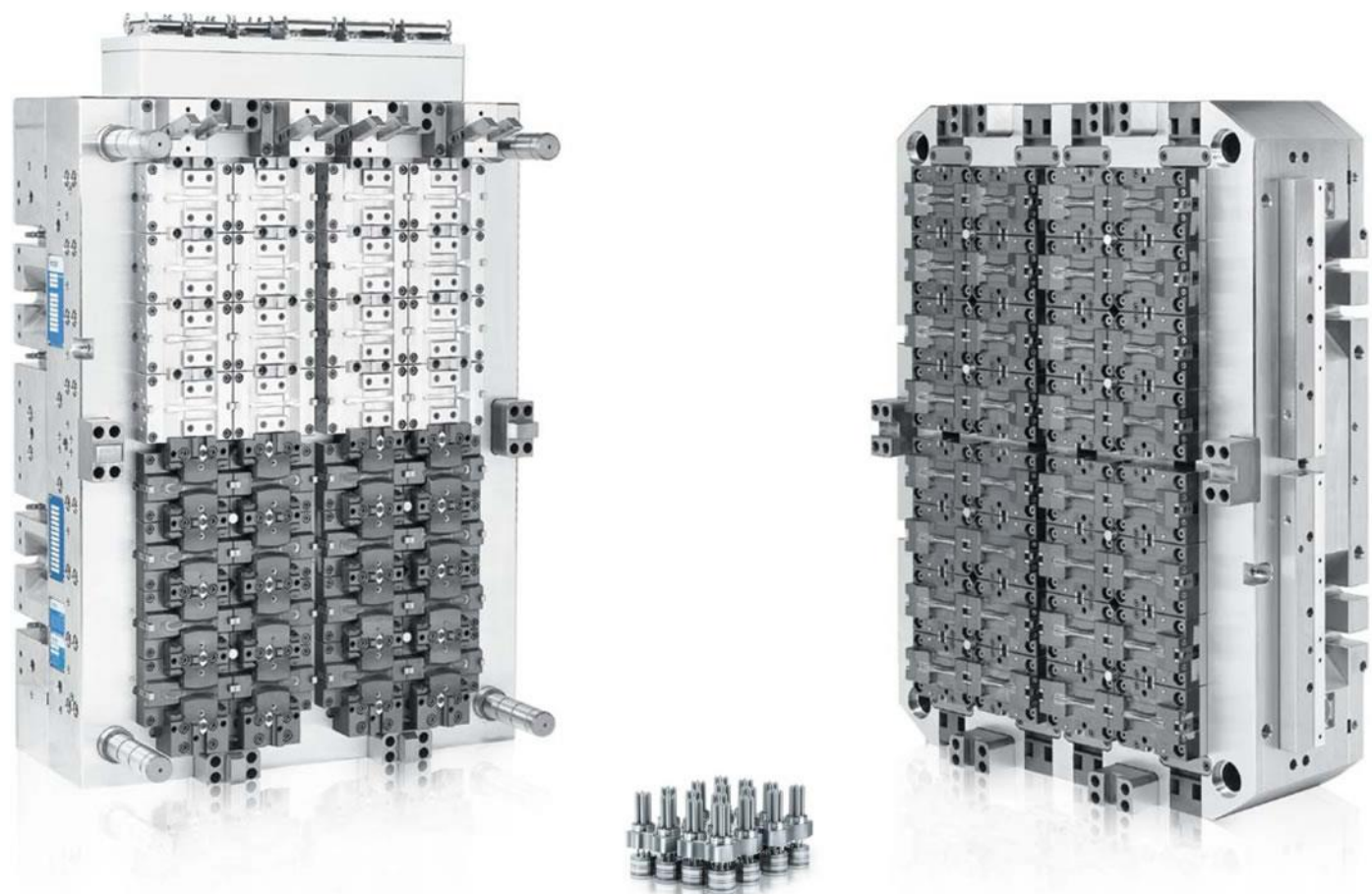
- › Surfaces with high-quality look and feel
- › Resilient functional areas

塑料包装



### Packaging

- › Thin-wall products
- › Very short cycle times



## 高精度注塑模具和系统解决方案

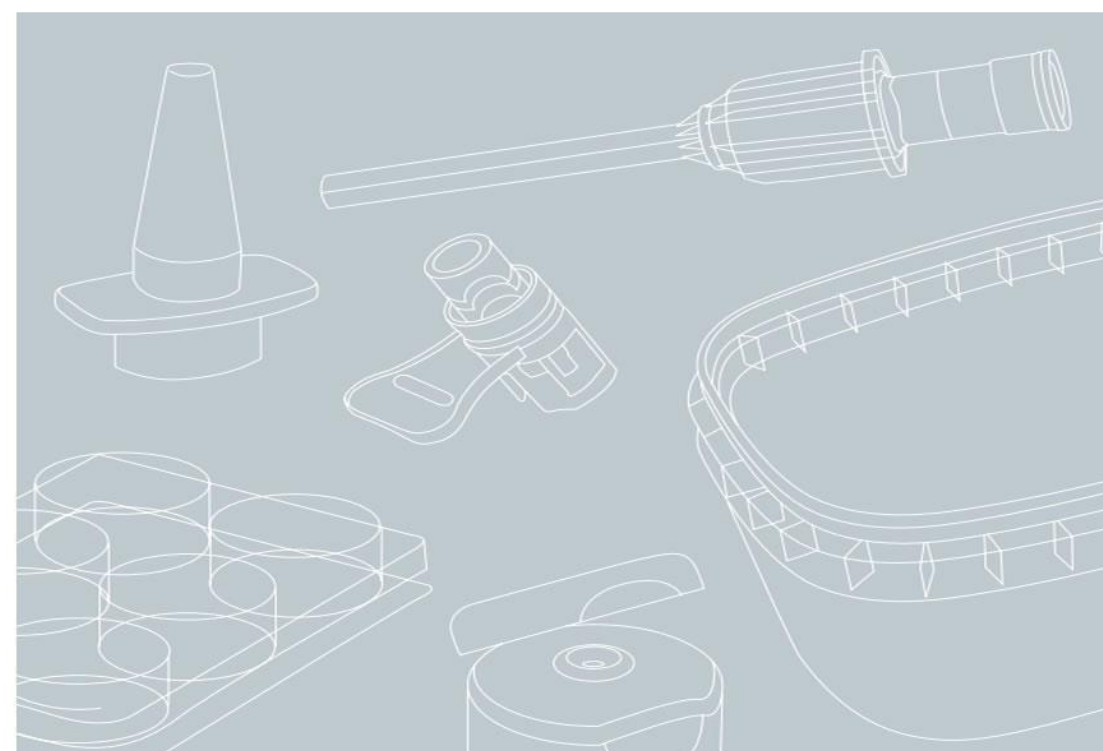
High precision injection mold and solutions provider

富东懿确保客户的产品从理念变成可靠的成果  
我们的工程专家将为您提供每一步的帮助

从概念阶段到交付全面的产品解决方案。  
It is our responsibility to ensure that the product ideas of our customers are brought to fruition reliably and profitably.

FOXDOTEC高精度模具是特别耐用的高性能模具专为大批量生产精密注塑件而设计。注重零件之间的一致性和可重复性，这对于注塑成型零件的自动下游加工至关重要。

FOXDOTEC high-precision molds are extremely durable, high-performance molds specifically designed for large-volume production of precision injection-molded parts. We develop our high-precision molds with an eye on part-to-part consistency and reproducibility,



● FOXDOTEC富东懿高精度模具是非常耐用的高性能模具，专为大批量生产精密注塑件而设计。

FOXDOTEC high-precision molds are extremely durable, high-performance molds specifically designed for high-volume manufacturing of precision injection-molded parts.



精密锻压模具、粉末冶金成型

Forging Dies & Former

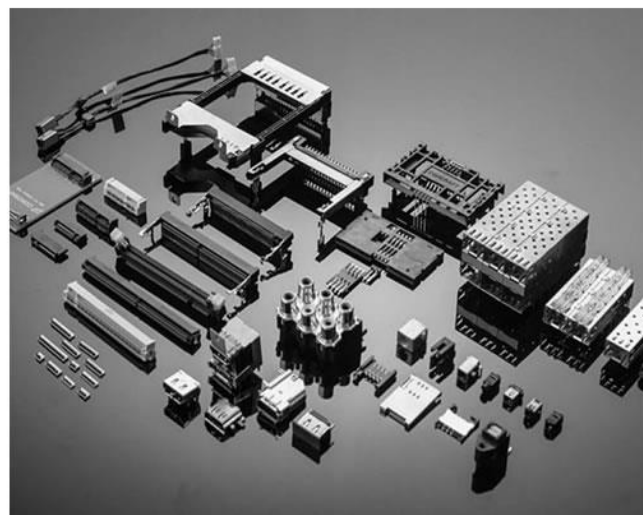


Die for press

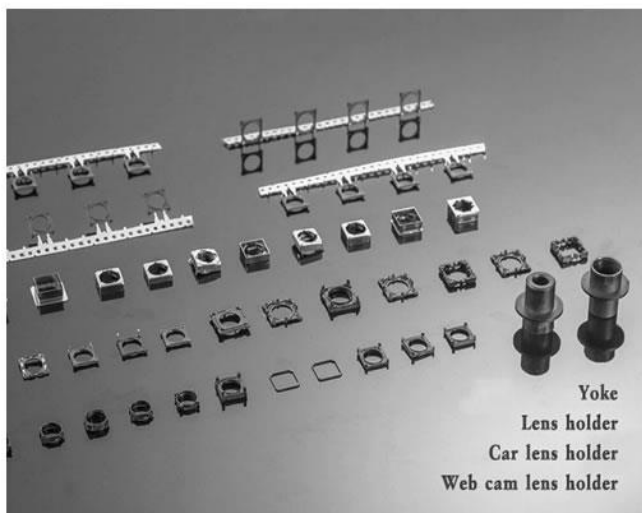


Die for former

精密零件加工 / Precision tooling



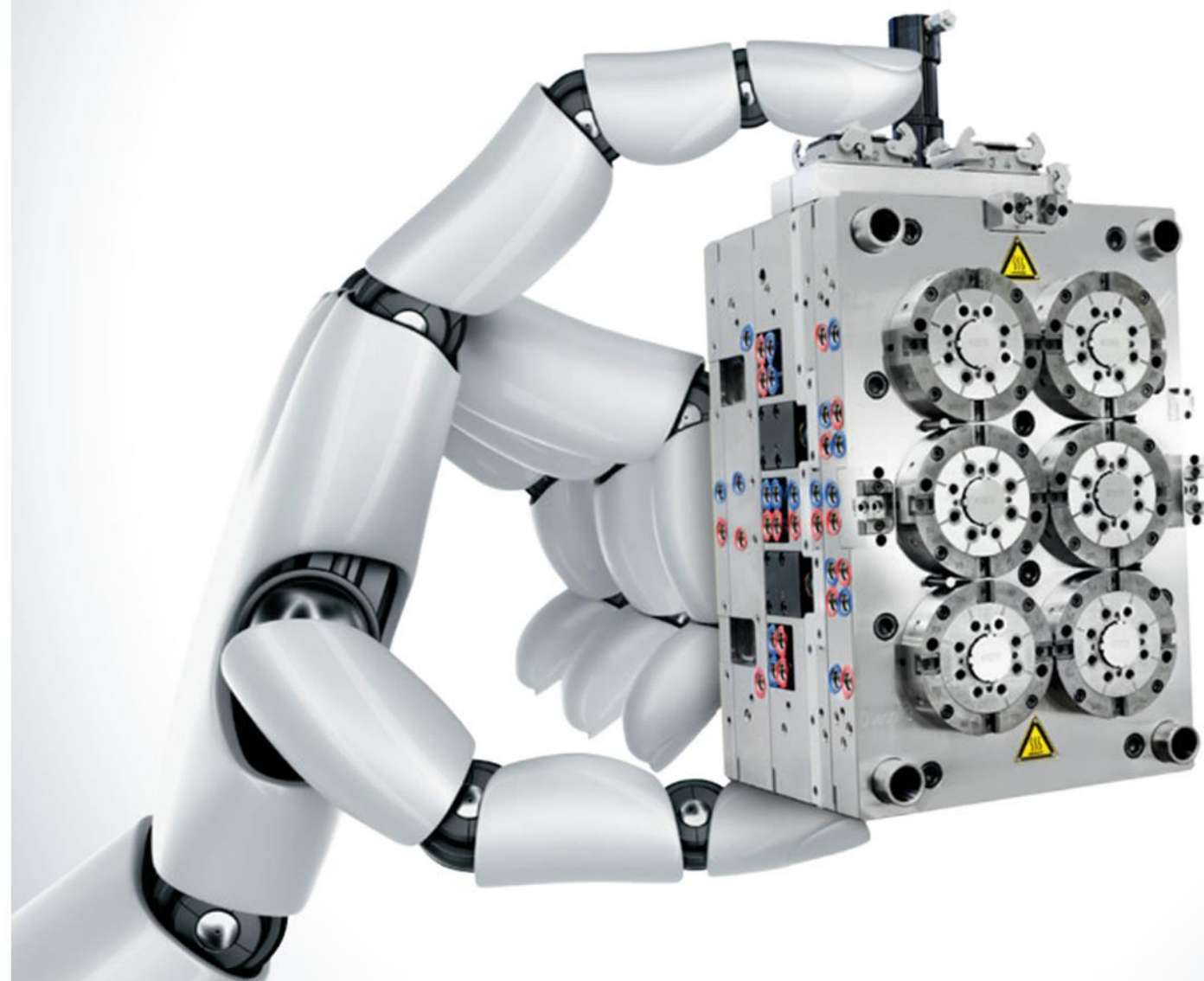
精密零部件 / 消费类连接器 / 精密光学元器件 / 精密声学元器件



Yoke  
Lens holder  
Car lens holder  
Web cam lens holder



The One-Stop Solution Provider  
for Automation & Molds



● 富东懿基于自身的精密加工技术与经验能提供精密零部件的代加工服务，非标自动化及其零部件解决方案

Based on its own precision processing technology and experience, FOXDOTEC can provide precision parts and components processing services, non-standard automation and its parts solutions.

匠心打造精密模具

创新铸就产品价值



精密模具加工制造专家

**FOXDOTEC**

HIGH PRECISION MOLDS PROVIDER